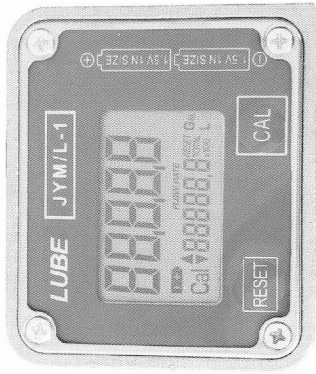


OVAL GEAR FLOW METER OPERATION MANUAL



FLOW METER:

5-Digit Liquid Crystal Display

4 Units: L, GAL, QT, PT

2 Buttons: **RESET** , **CAL** .

Technical Specification:

Flow Rate : 5—20 L/min Accuracy : ± 0.5%

Repeatable Tolerance : ≤ 0.2% Max. Working Pressure: 1.5 Mpa

Details of Operation:

- 1、Erase Data: **RESET** →0.00;
- 2、Switch between total and the total per unit of time: **CAL** →Switch between the total and the total per unit of time, the data displayed before “TOTAL” is the total volume, the data displayed before “^{RESET}_{TOTAL}” is the total per unit of time.
- 3、Erase the total per unit of time:
RESET for 3 sec. →displayed “CLEAN” ,
CAL → confirm to erase the total per unit of time;

RESET →cancel to erase the total per unit of time.

4、Modify Correction Factor:

CAL for 3 sec. →into Correction Factor Change Mode,

RESET →Choose the digit wanted to change,

CAL →Change the digit, until reach the right number, 3 sec. Later, quit correction factor mode automatically.

Factor Range “0-9999” Factor has already been adjusted before delivery and the standard factor range at “950-1000” PLEASE DO NOT ADJUST THE FACTOR WITHOUT ANY PARTICULAR REASON. When occur errors for using in different medium, the factor can be adjusted. Adjust 1 on the factor, the flow meter error is about 0.8%. When enhance the factor, the displayed value will be more than the actual flow of oil or vice versa.

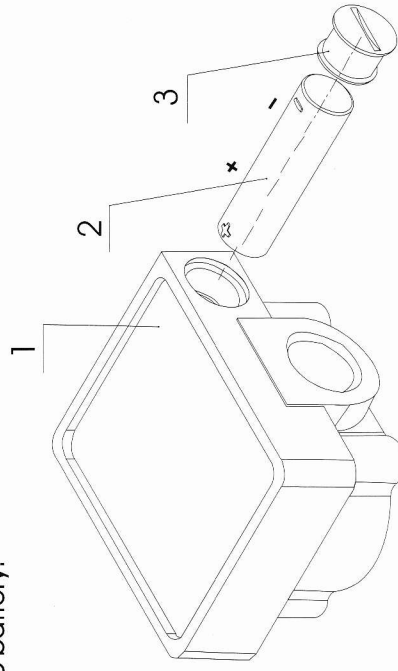
5、Change measurement unit:

CAL for 3 sec. →into Measurement Unit Change Mode,

RESET → Choose the unit wanted to change,

CAL →switch between the four units (L, GAL, QT and PT) until show the right unit. 3 sec. Later, quit Measurement Unit Change Mode automatically

Change the battery:



1、FLOW METER 2、3.6 V Battery 3、Battery cover

When the battery signal **1+** is flashing on the display, change the battery.

Remove the protector cover, change the Lithium Battery ER14505 and screw thelid on again.